

YTPV Series

DC Fuse 1000V

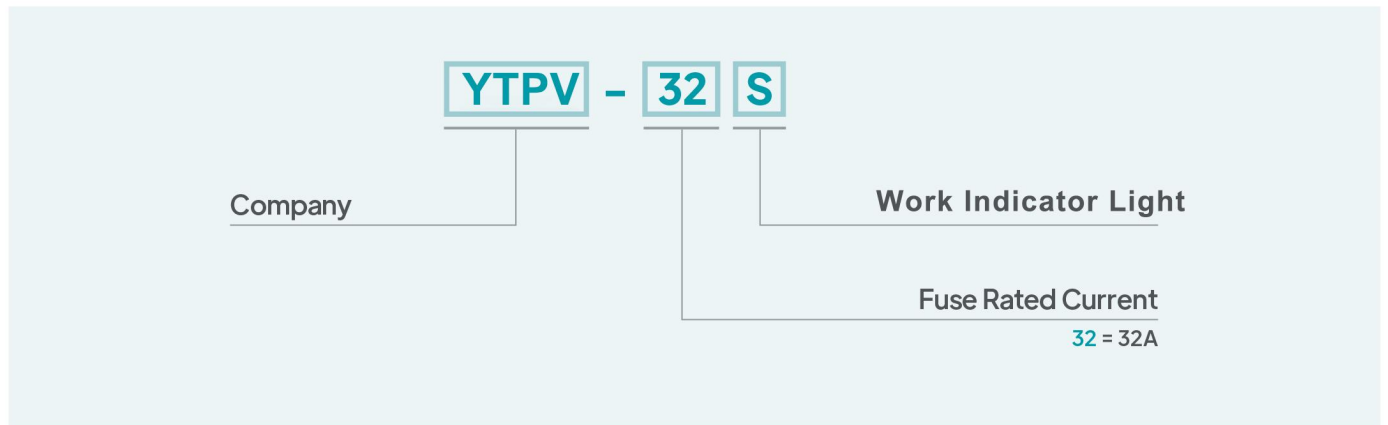
YTPV series fuse holder is made of refractory material, and meets the standard of IEC 60947-3. The maximum rated voltage is 1000V and the maximum current is 30A. As a short circuit and over-current protector, it is widely used in the high and low voltage distribution system, control system, and electrical equipments, like distribution box and inverter.

Product Benefits

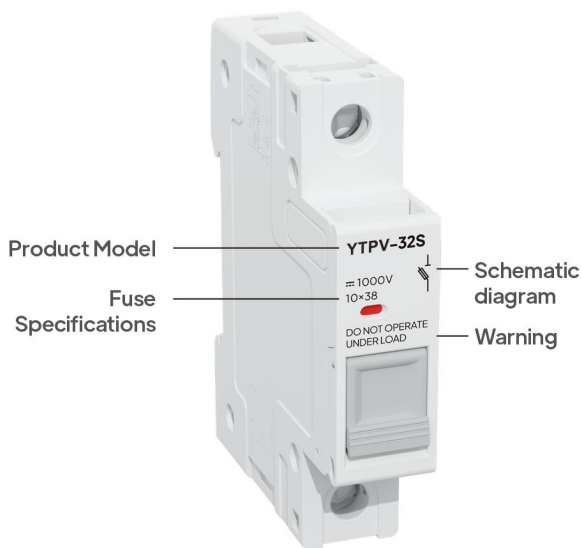
- DIN35 Rail Installation, Easy to Install
- Adjustable terminal block, Wiring firm
- Fire-retardant shell, high temperature resistance
- Flexible installation, Easy to replace



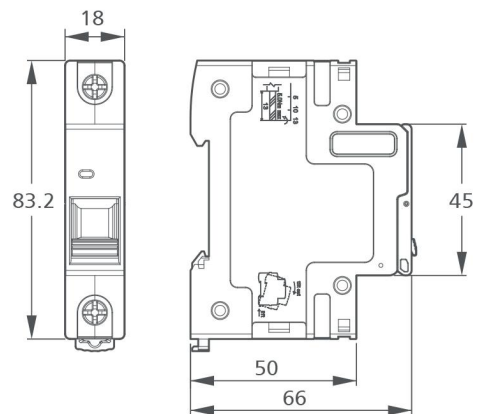
Meaning and Classification Models



Appearance Introduction



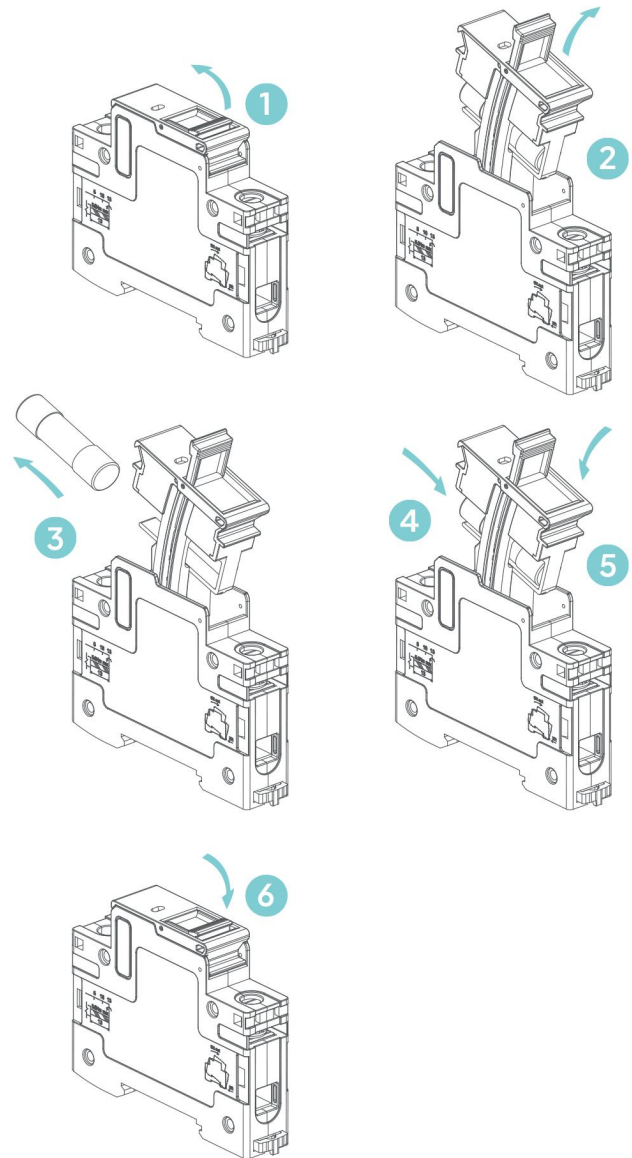
Dimensions (mm)



Technical Data

YTPV-32S	
According to	IEC60947-3
Electrical Characteristics	
Rated Working Voltage	1000VDC
Rated Current	32A
Breaking Capacity	20kA
Max Power Dissipation	3W
Control and Indication	
Connection and Installation Wire	2.5 - 6mm ²
Terminal Screws	M3.5
Torque	0.8~1.2N·m
Degree of Protection	IP20
Installation Environment	
Fuse Size	10×38mm
Operating Temperature Range	-30~+70°C
Mounting	DIN rail IEC/EN 60715
Pollution Degree	3
Relative Humidity	+20°C ≤ 95%, +40°C ≤ 50%,
Installation Class	III
Weight	0.07 kg Per pole

Replacement Fuse



Installation

