

Application

YTPV-32 series Fuse Holder and Fuse is made of refractory material, which meets the standard of EN/IEC 60947-3 & 60269-6. The maximum rated voltage is 1000V and the maximum current is 32A. As a short circuit and over-current protector, it is widely used in the high and low voltage distribution system, control system, and electrical equipment, like distribution box and inverter.



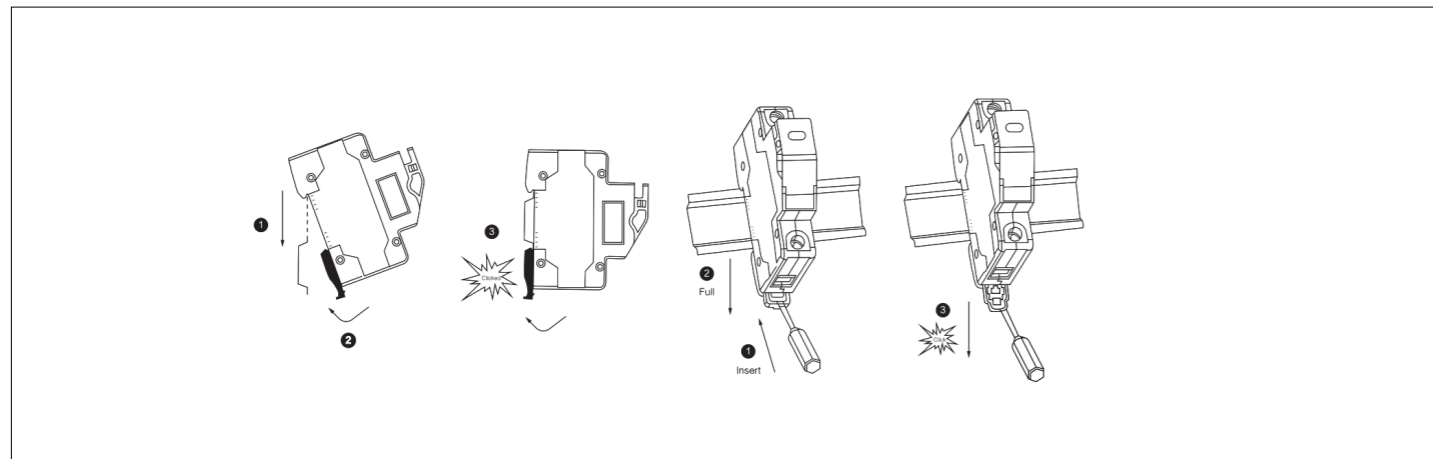
Specifications

Product Model	YTPV-32
Pole	1P
Colour	White/Green
Rated Current (A)	1A, 2A, 3A, 4A, 5A, 6A, 8A, 10A, 12A, 15A, 20A, 25A, 30A, 32A
Rated Voltage(V DC)	1000
Installation	Rail installation
Fuse link size(mm ²)	10*38

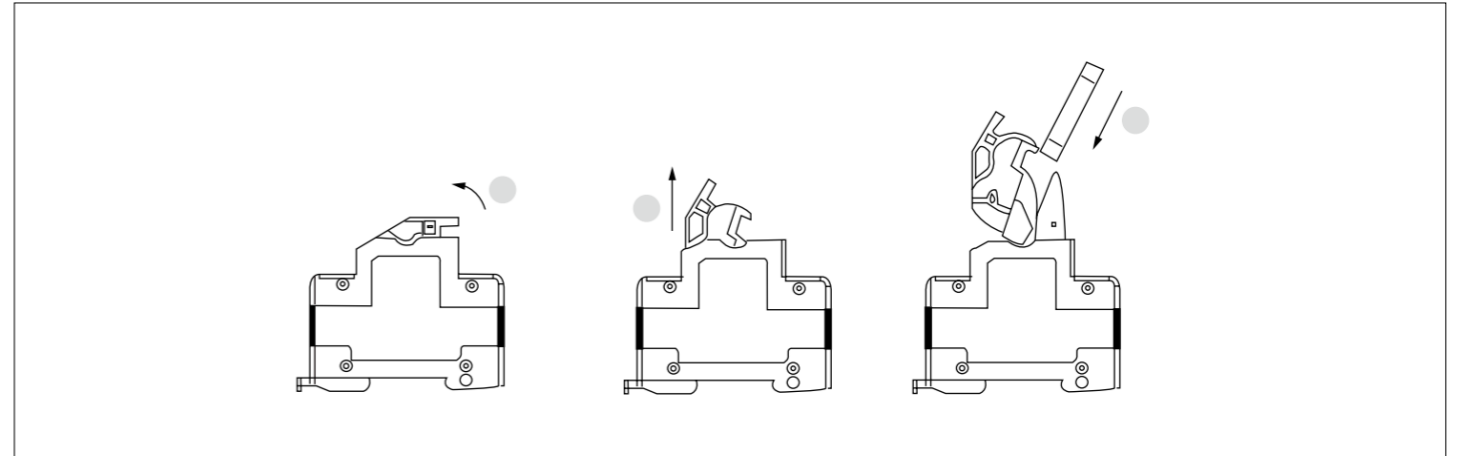
Features

- 1. Din35 Rail Installation, Easy to Install
- 2. Adjustable terminal block, Wiring firm
- 3. Fire-retardant shell, high temperature resistance
- 4. Flexible installation, Easy to replace

Installation



Replacement fuse



Dimension

